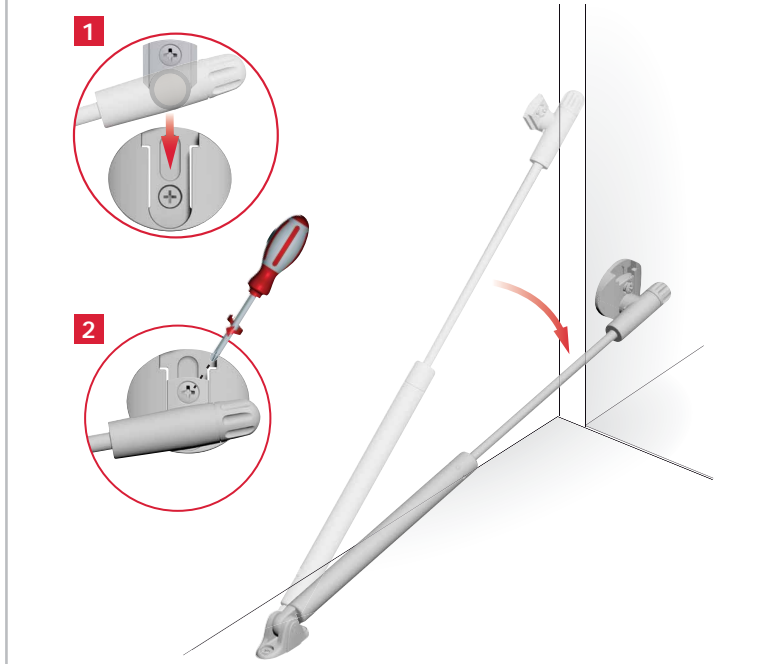
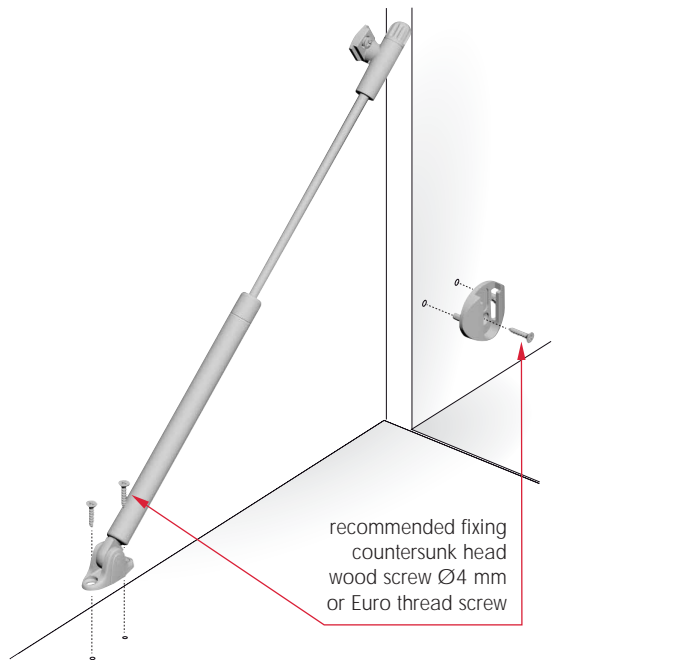


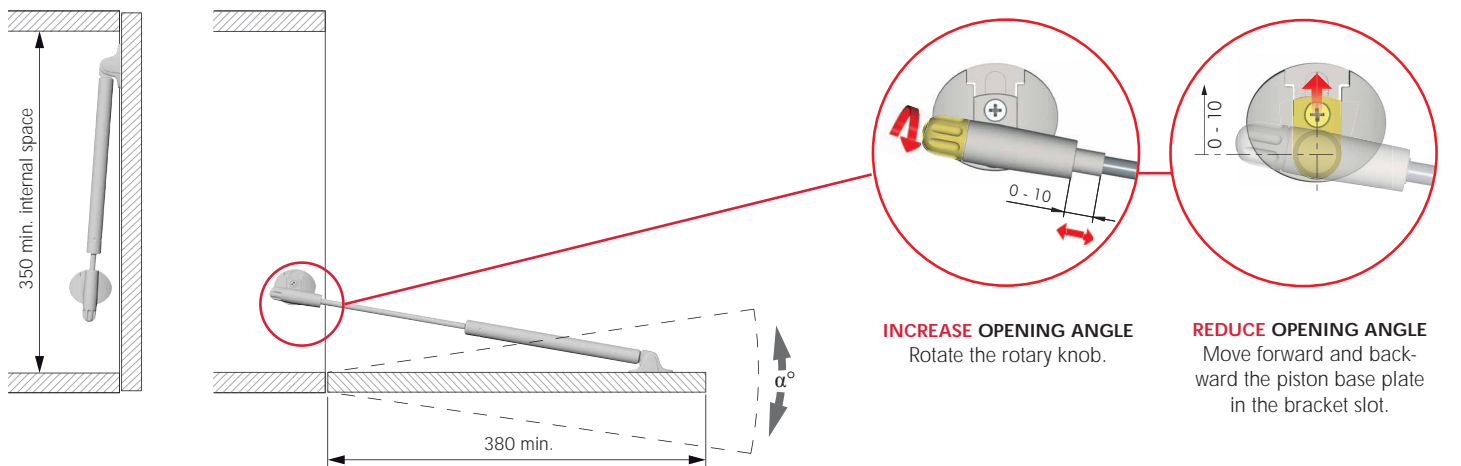
## KRABY FOR WRITING DESK



### INSTALLATION

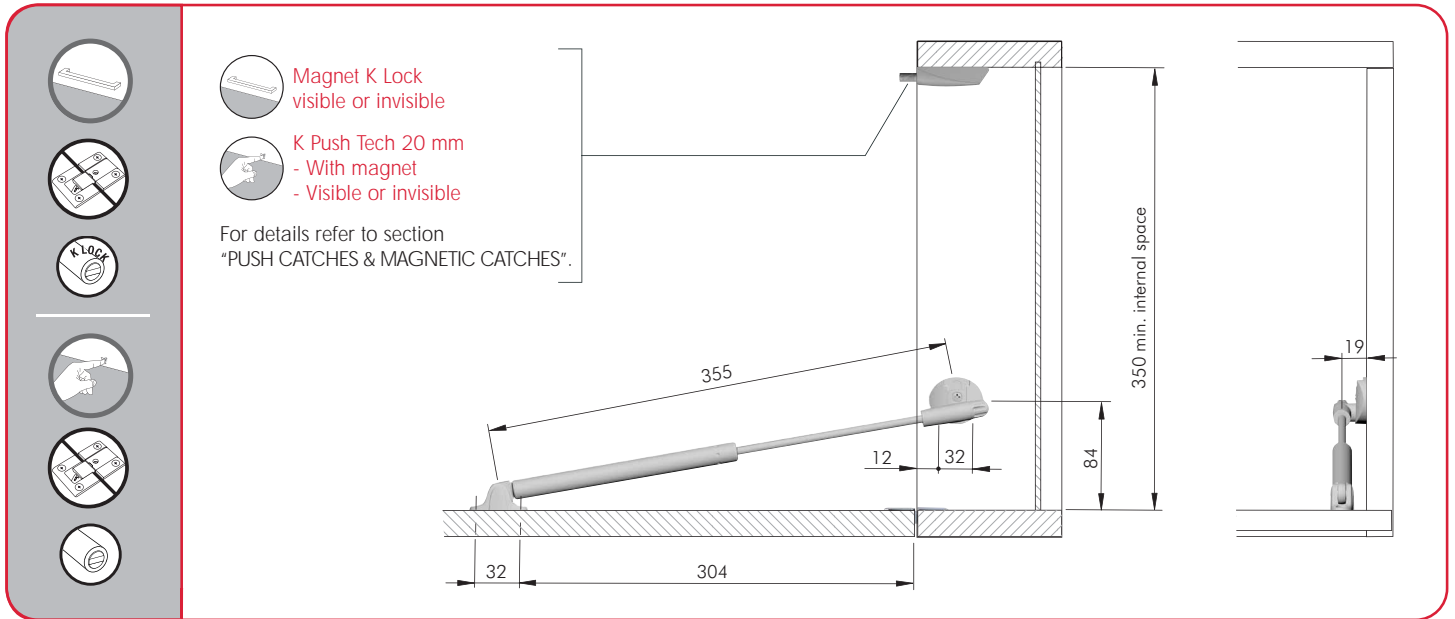


### ADJUSTMENTS





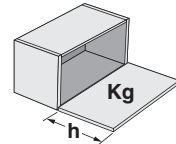
## DRILLING PLAN WITH KIMANA HINGE



## Number of stays chart

Rev. 00

| h         | Door weight (Kg) |   |   |   |   |   |   |   |   |           |    |    |  |
|-----------|------------------|---|---|---|---|---|---|---|---|-----------|----|----|--|
|           | 1                | 2 | 3 | 4 | 5 | 6 | 7 | 8 | 9 | 10        | 11 | 12 |  |
| 380 - 450 |                  |   |   |   |   |   |   |   |   | 2 x Kraby |    |    |  |
| 451 - 550 |                  |   |   |   |   |   |   |   |   | 2 x Kraby |    |    |  |



These are experimental results to be checked by the customer. Our technical department is at your disposal to test further cases out of this chart. In accordance with the actual European regulation, it is necessary to use two lid stays for each door.

