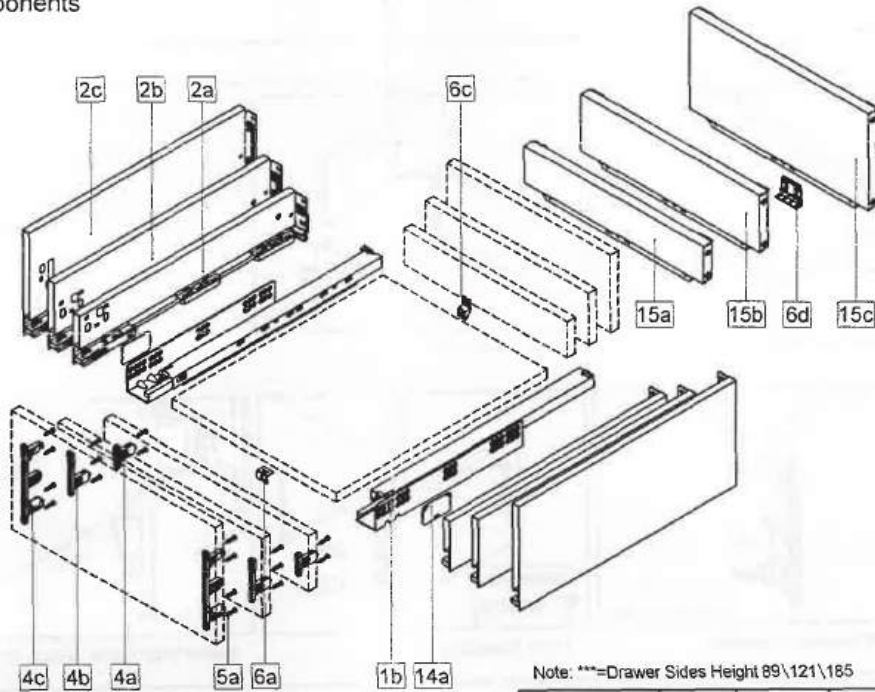


Components

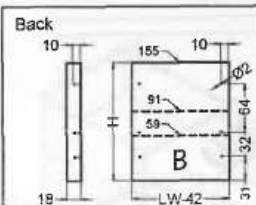


1b. Cabinet profiles L/R	5a. Front fixing-brackets screw (Ø4x17)
2a. 89 Drawer Sides L/R	6a. Front fixing (for wide drawer)
2b. 121 Drawer Sides L/R	6c. Back fixing (for wide drawer)
2c. 185 Drawer Sides L/R	6d. Metal back fixing (for wide drawer)
4a. 89 Front fixing-brackets	14a. Side cover plate
4b. 121 Front fixing-brackets	15a. Metal back height 89
4c. 185 Front fixing-brackets	15b. Metal back height 121
	15c. Metal back height 185

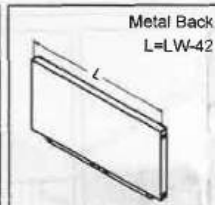
Note: ***=Drawer Sides Height 89\121\185

Item No.	Nominal length	Internal drawer length	Min installation length of drawer
808BR***27018	270mm	242mm	275mm
808BR***30018	300mm	272mm	305mm
808BR***35018	350mm	322mm	355mm
808BR***40018	400mm	372mm	405mm
808BR***45018	450mm	422mm	455mm
808BR***50018	500mm	472mm	505mm
808BR***55018	550mm	522mm	555mm
808BR***60018	600mm	572mm	605mm
808BR***65018	650mm	622mm	655mm

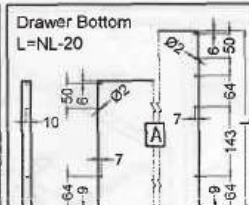
Drawer Back and Bottom Dimensions (mm)



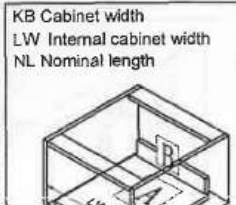
Type	89	121	185
H	59	91	155



KB≥800
Metal back fixed



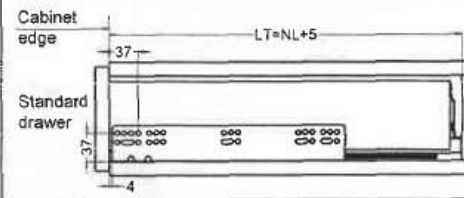
270~400 450~650



KB Cabinet width
LW Internal cabinet width
NL Nominal length

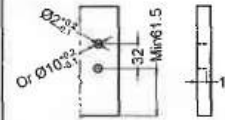
Installation dimensions (mm)

Nominal slide length =NL Internal cabinet depth=LT

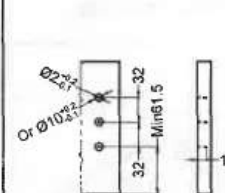


Drawer installation dimensions (mm)

89 Drawer front

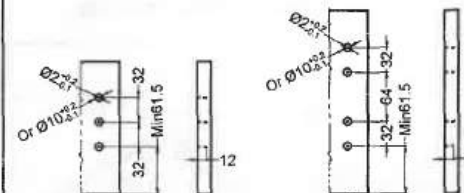


121 Drawer front

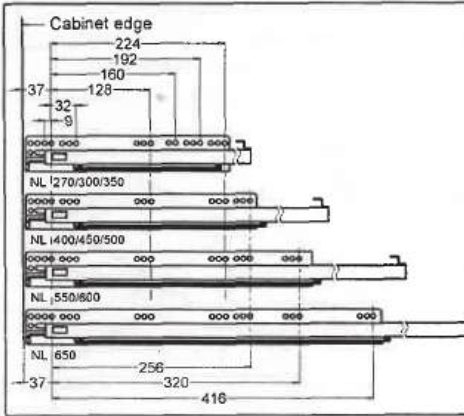


Selection	Drill Size
Wood screw	Ø2 x 12
Anchor bolt	Ø10 x 12

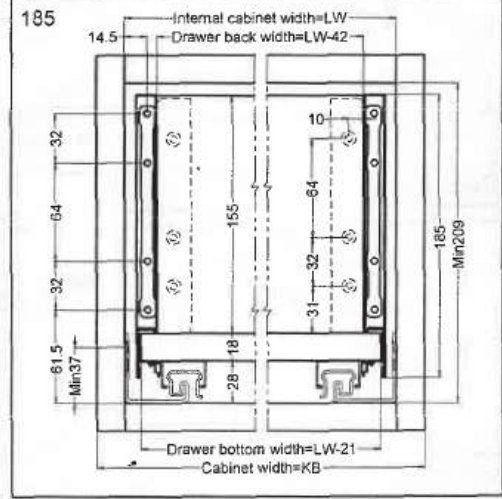
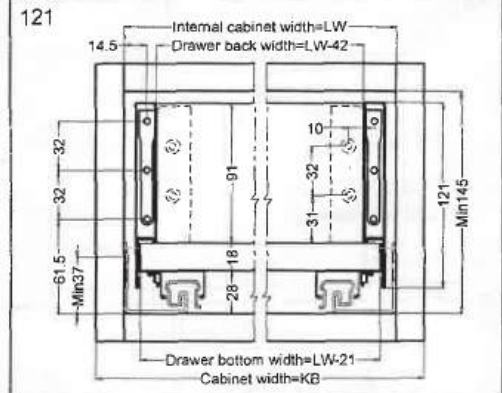
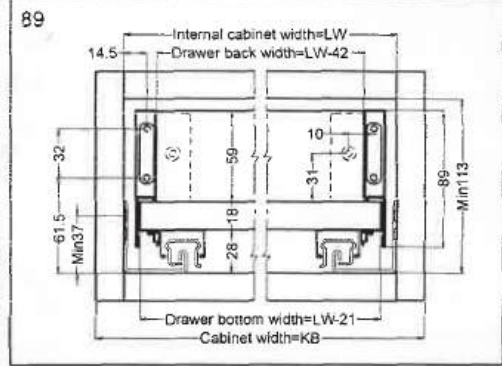
185 Drawer front

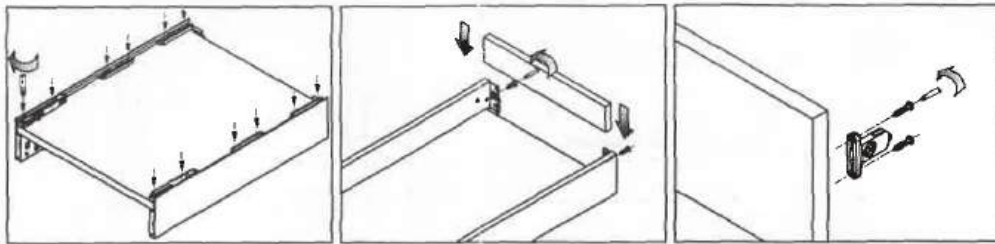


Screw positions of the sides (mm)



Drawer installation dimensions (mm)

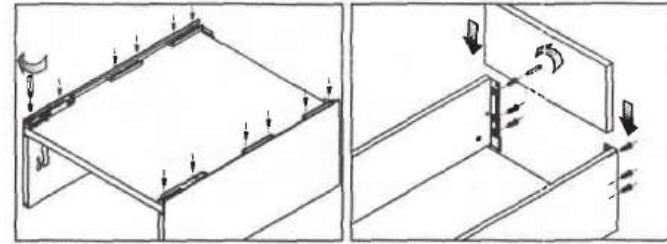




Bottom assembly

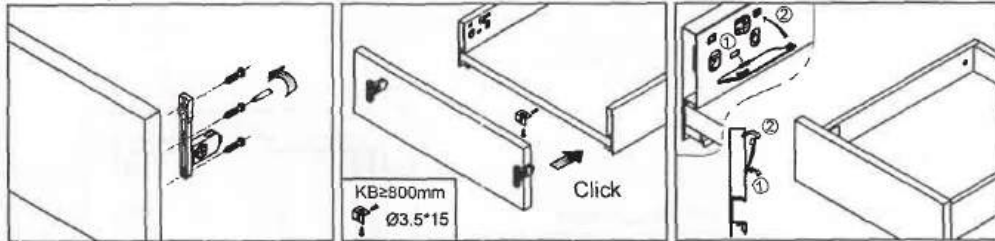
Back assembly

Front bracket assembly



Bottom assembly

Back assembly



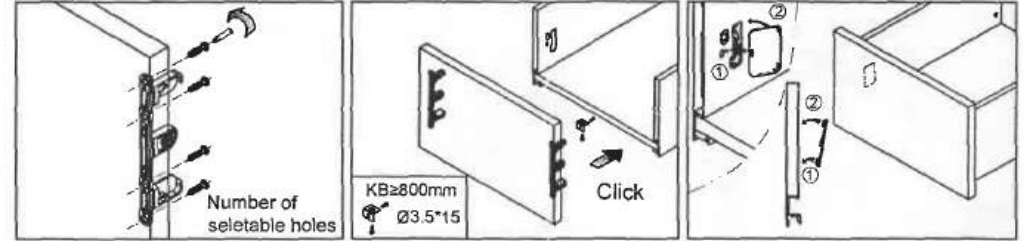
Front bracket assembly

Front assembly

Inside Wall Cover assembly

KB≥800mm
Ø3.5*15

Click



Front bracket assembly

Front assembly

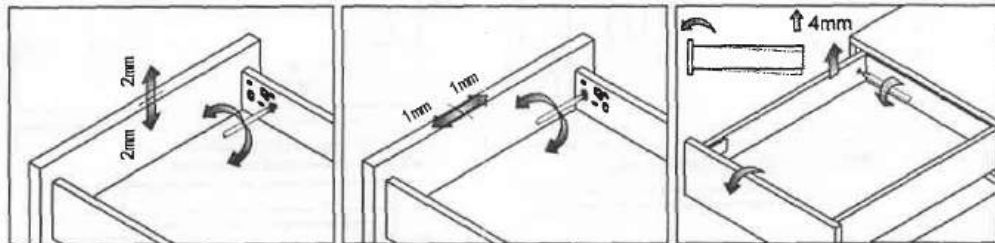
Inside Wall Cover assembly

Number of
selectable holes

KB≥800mm
Ø3.5*15

Click

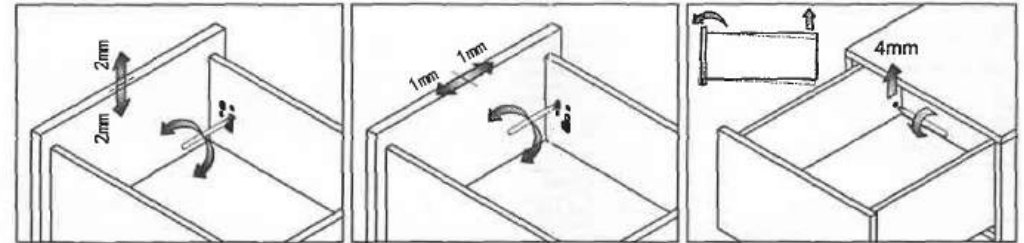
Adjustment



Up&down adjustment

Left&right adjustment

Front slope angle adjustment

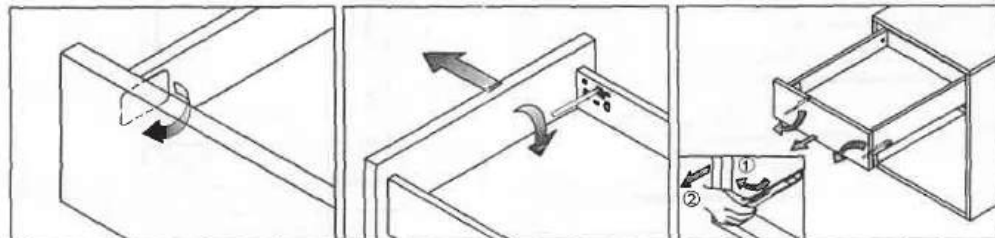


Up&down adjustment

Left&right adjustment

Front slope angle adjustment

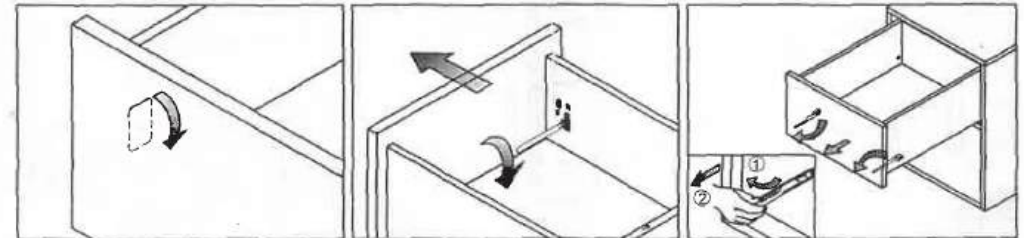
Removal



Tip up the cover and pull out

Removal drawer front

Removal drawer



Tip up the cover and pull out

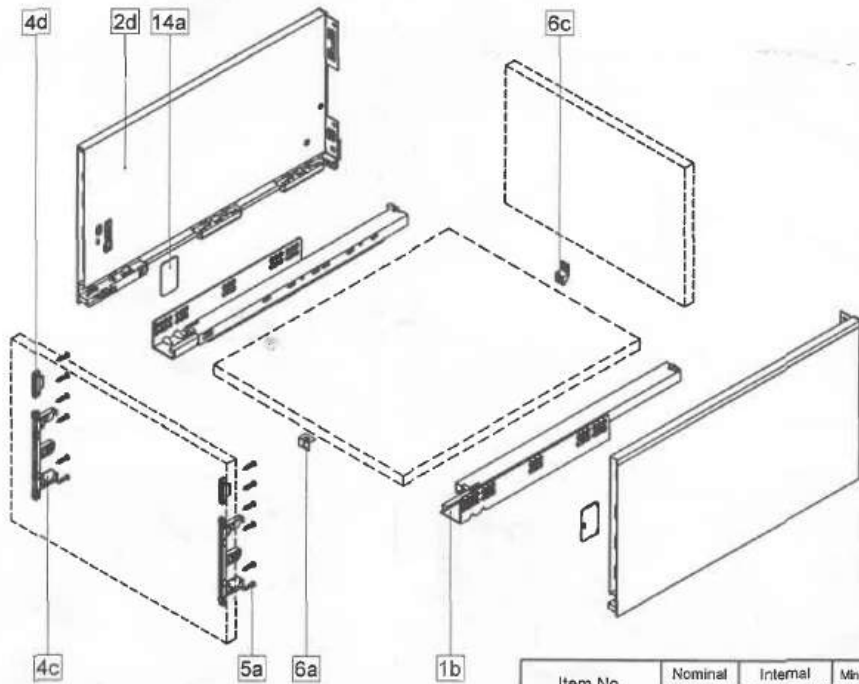
Removal drawer front

Removal drawer

StrongMax18 H 249 NL 270-650



Components



1b. Cabinet profiles L/R	5a. Front fixing-brackets screw (Ø4x17)
2d. 249 Drawer Sides L/R	6a. Front fixing (for wide drawer)
4c. 185 Front fixing-brackets	6c. Back fixing (for wide drawer)
4d. 249 Front fixing-brackets	14a. Side cover plate

Item No.	Nominal length	Internal drawer length	Min. installation length of drawer
808BR24927018	270mm	244mm	275mm
808BR24930018	300mm	274mm	305mm
808BR24935018	350mm	324mm	355mm
808BR24940018	400mm	374mm	405mm
808BR24945018	450mm	424mm	455mm
808BR24950018	500mm	474mm	505mm
808BR24955018	550mm	524mm	555mm
808BR24960018	600mm	574mm	605mm
808BR24965018	650mm	624mm	655mm

Drawer Back and Bottom Dimensions (mm)

Back

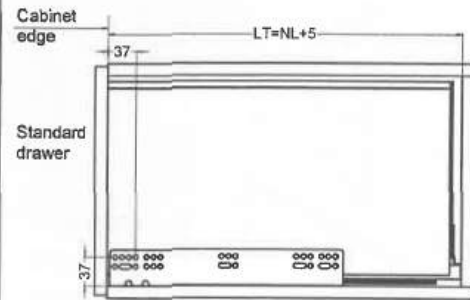
Drawer Bottom
L=NL-20

270-400 450-650

KB Cabinet width
LW Internal cabinet width
NL Nominal length

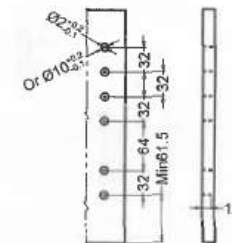
Installation dimensions (mm)

Nominal side length=NL Internal cabinet depth=LT



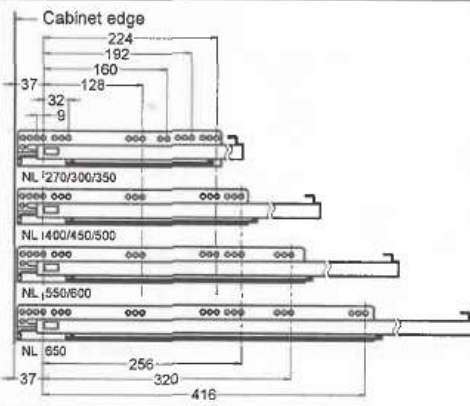
Drawer installation dimensions (mm)

249 Drawer front

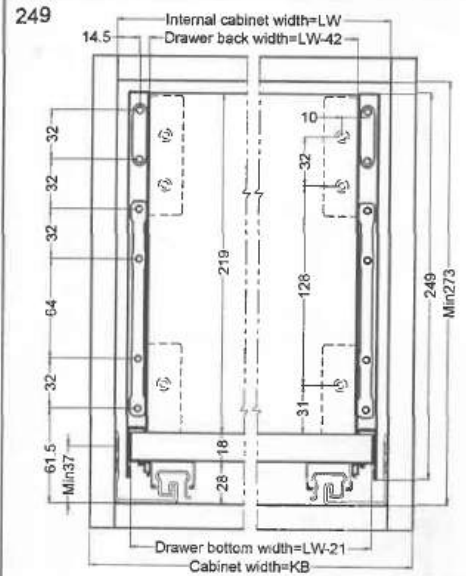


Selection	Drill Size
Wood screw	Ø2 x 12
Anchor bolt	Ø10 x 12

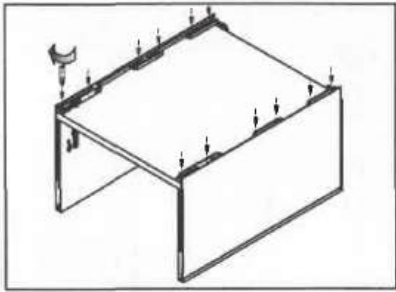
Screw positions of the sides (mm)



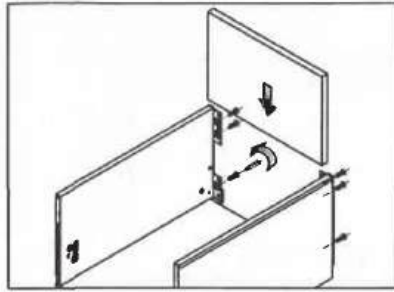
Drawer installation dimensions (mm)



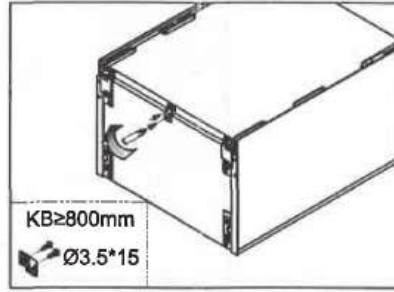
Assembly-



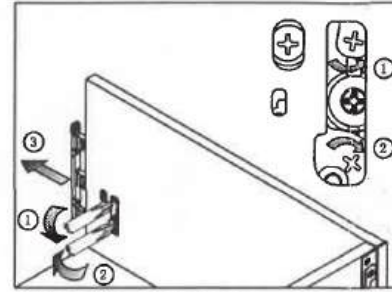
Bottom assembly



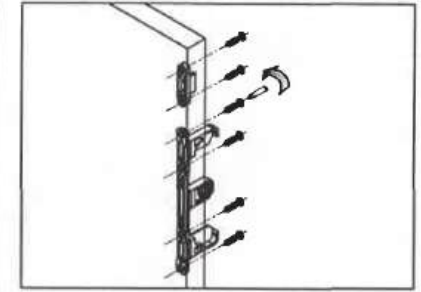
Back assembly



Back fixing assembly

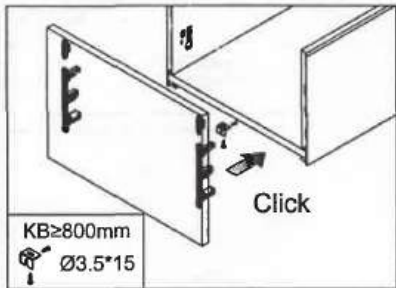


Front bracket release

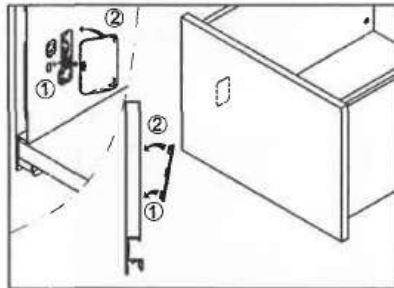


Front bracket assembly

Assembly

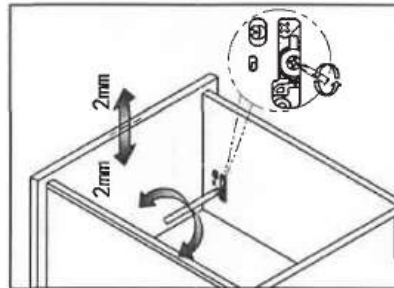


Front assembly

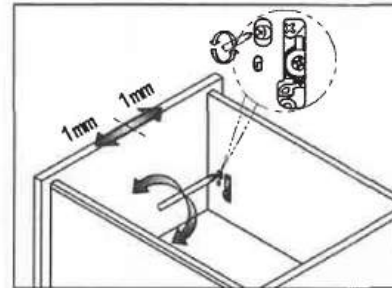


Inside Wall Cover assembly

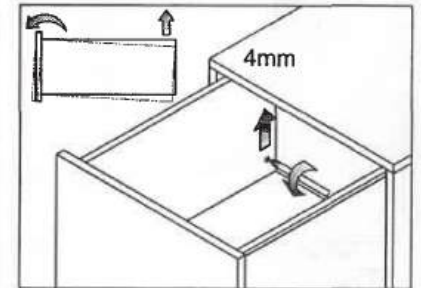
Adjustment



Up & down adjustment

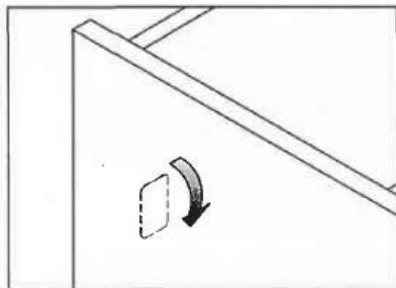


Left & right adjustment

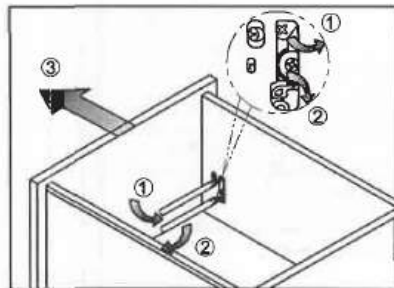


Front slope angle adjustment

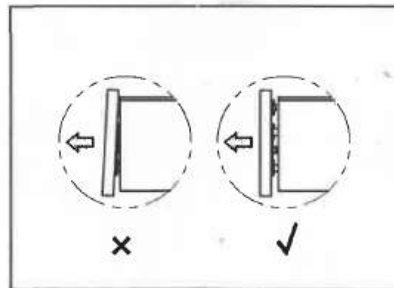
Removal



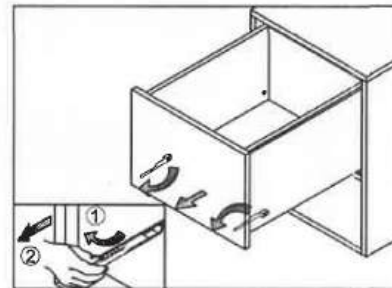
Tip up the cover and pull out



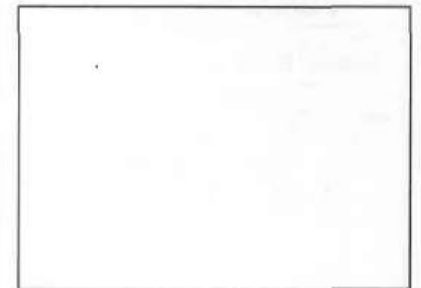
Removal drawer front



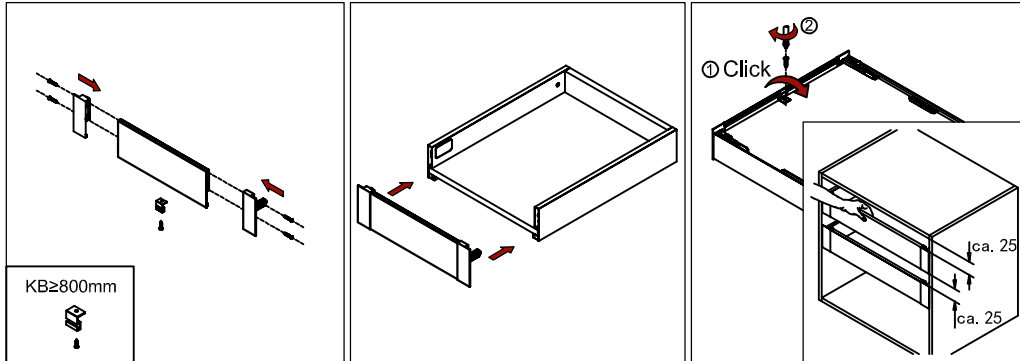
Move the drawer front out horizontally



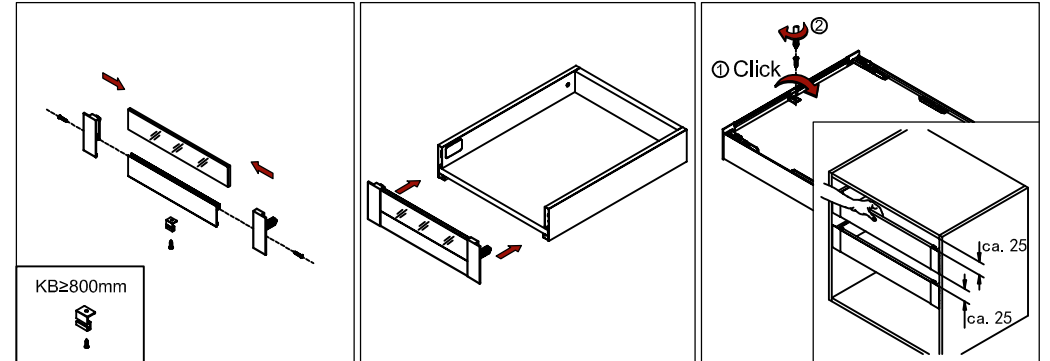
Removal drawer



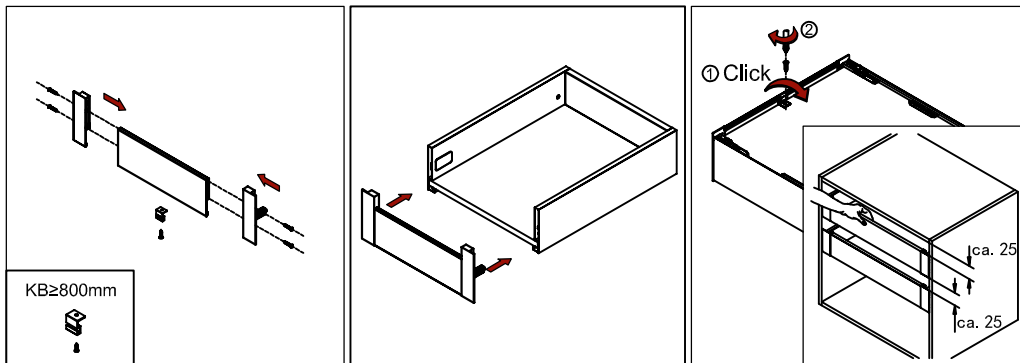
StrongMax - 89 Inner drawer front assembly



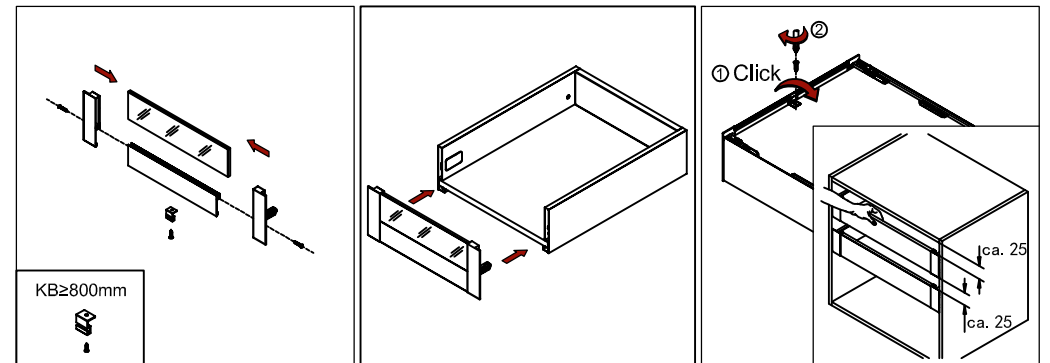
StrongMax - 89 Inner drawer glass front assembly



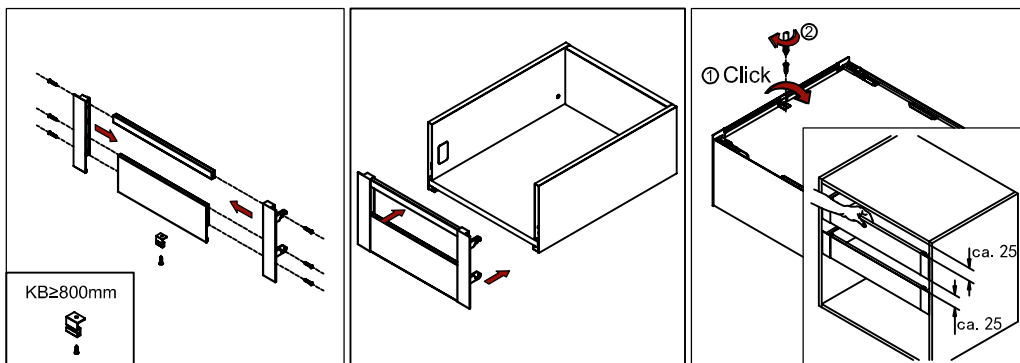
StrongMax - 121 Inner drawer front assembly



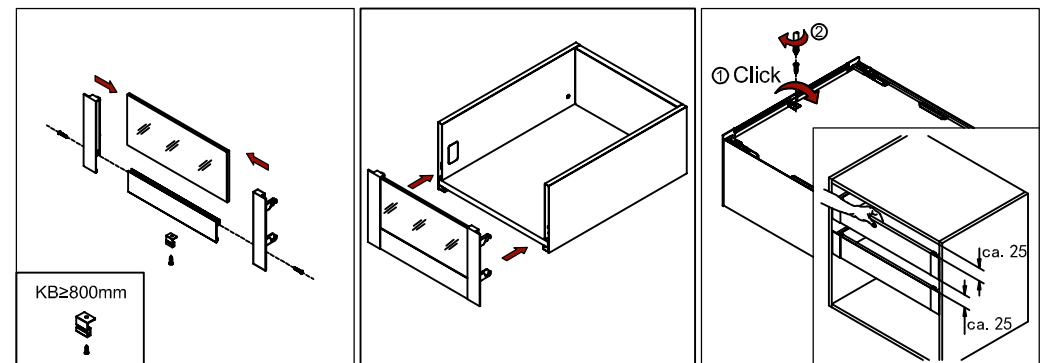
StrongMax - 121 Inner drawer glass front assembly



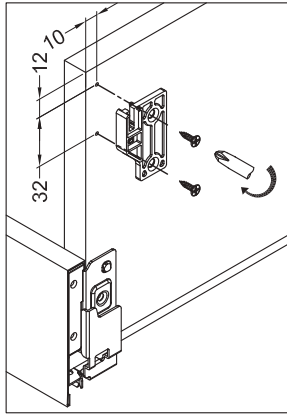
StrongMax - 185 Inner drawer front assembly



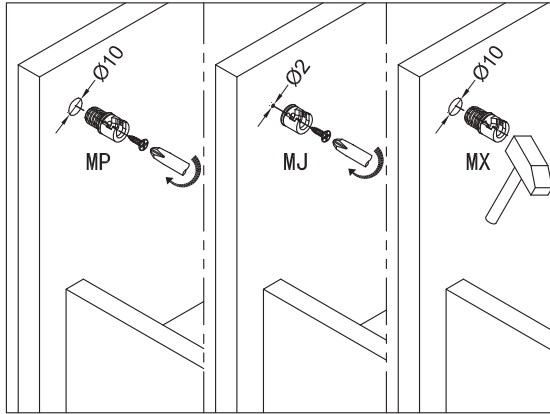
StrongMax - 185 Inner drawer glass front assembly



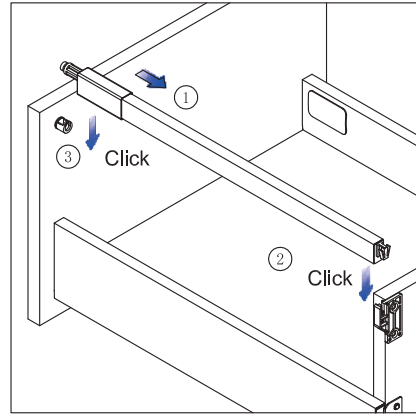
StrongMax Extension Rails



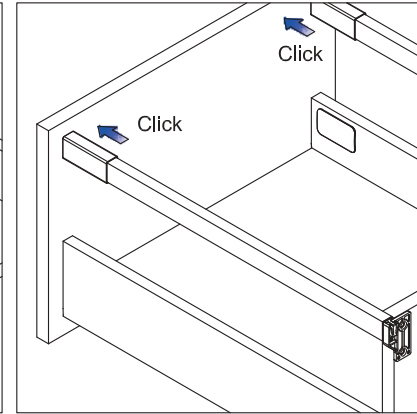
Fix rail rear brackets L/R



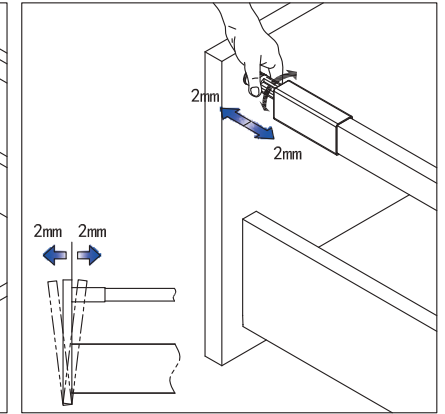
Fix dowels (MP/MJ/MX)



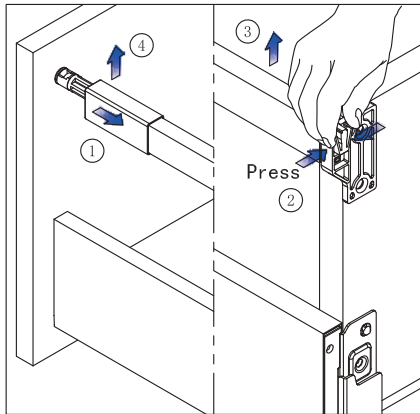
Click on rails L/R



Slide-on the cover, Done!



Turn insert to adjust length of rail



Remove the rails